

DOI: <http://dx.doi.org/10.1590/1807-1929/agriambi.v25n4p270-276>

Design of a smart LED lamp to monitor insect populations in an integrated pest management approach¹

Desenvolvimento de uma lâmpada LED inteligente para monitoramento de insetos no manejo integrado de pragas

Maicon W. M. de Carvalho^{2*}, Eduardo R. Hickel³, Bruno Bertoldi²,
Gustavo C. Knabben² & Yales R. de Novaes²

¹ Research developed at Universidade do Estado de Santa Catarina/Núcleo de Processamento de Energia Elétrica, Joinville, SC, Brazil and Empresa de Pesquisa Agropecuária e Extensão Rural de Santa Catarina/Estação Experimental de Itajaí, Itajaí, SC, Brazil

² Universidade do Estado de Santa Catarina, Joinville, SC, Brazil

³ Empresa de Pesquisa Agropecuária e Extensão Rural de Santa Catarina, Itajaí, SC, Brazil

HIGHLIGHTS:

Study presents design and production of an LED lamp for photovoltaic light traps.

The LED lamp switches on and off automatically, controls the battery charge and indicates the operating status of the system.

The LED lamp is a superior substitute for the standard fluorescent lamps used in conventional light traps.

ABSTRACT: This study aimed to present the design and field test results of an LED (light emitting diode) lamp for integrated pest management (IPM) and other entomological studies. The light spectrum of the LEDs was tuned to optimize insect attraction and lower energy consumption. An electronic circuit with control software was integrated with the lamp, enabling it to operate in standalone mode, automatically identify night and day, monitor and control the battery charge with energy from a photovoltaic solar panel, protect the battery against over-discharge, and provide feedback about the operating status of the system. Additionally, energy consumption is about five times lower than that of the fluorescent lamp, reducing the battery and solar panel size needed for its energy supply. In the 2017/2018 growing season, the smart LED lamp was installed in a Sonne light trap in an irrigated rice field, and the total number of insects captured was compared with the number collected in a conventional light trap fitted with a traditional 15 W black light fluorescent lamp. Total captures in the Sonne trap were approximately three times greater than in the conventional system.

Key words: light trap, fauna survey, light source, photovoltaic, electronic control

RESUMO: Objetivou-se neste estudo apresentar o projeto e os resultados de testes em campo de uma lâmpada de LEDs (light emitting diodes) para aplicação em manejo integrado de pragas (MIP) e outros estudos entomológicos. O espectro de luz dos LEDs foi otimizado para aumentar a atratividade de insetos da lâmpada e reduzir o consumo de energia. Um circuito eletrônico e um software de controle foram integrados à lâmpada, fazendo-a funcionar de modo autônomo, identificando noite e dia automaticamente, monitorando e controlando a carga da bateria com energia proveniente de um painel solar fotovoltaico, protegendo a bateria contra descarga profunda e apresentando ao usuário informações sobre o estado de funcionamento do sistema. Além disso, seu consumo de energia é cinco vezes menor, reduzindo o tamanho da bateria e do painel solar necessário para alimentar a lâmpada. Na safra de arroz irrigado de 2017/2018, a lâmpada de LEDs inteligente foi instalada em uma armadilha luminosa modelo “Sonne” e as capturas de insetos foram comparadas com aquelas obtidas em uma armadilha convencional equipada com a lâmpada fluorescente tradicional de 15 W do tipo luz negra. A armadilha “Sonne” capturou cerca de três vezes mais insetos que a armadilha convencional.

Palavras-chave: armadilha luminosa, levantamento faunístico, fonte de luz, fotovoltaico, controle eletrônico



INTRODUCTION

Light traps are used to attract and catch nocturnal insects via positive phototropism (Shimoda & Honda, 2013; Sheikh et al., 2016). This solution is used to monitor pests and their natural enemies in several applications, including integrated pest management (Aguiar et al., 2010; Hickel et al., 2015; Baehaki et al., 2017; Silva, 2017; Zhang et al., 2020), and research on species diversity and habitat characterization (Price & Baker, 2016; Infusino et al., 2017). In Brazil, the most widely used model in agriculture is the “Luiz de Queiroz” trap, fitted with a black light fluorescent lamp (Silveira Neto et al., 1976). The most common black light fluorescent lamp used in current research and IPM is the 15 W BL T8 (Branco et al., 2016; Medrano et al., 2019).

Using light traps in crops and forests poses technical obstacles because electrical networks are typically not available to provide the energy necessary to operate them. As such, batteries are needed to store electrical energy and photovoltaic solar panels to generate this energy (Meshram et al., 2018). Furthermore, due to the high power (15 W) and low efficiency of the fluorescent lamp, high electricity generation and storage capacity are required to provide enough energy for the trap to function properly in standalone mode. Optimal operation of the “Luiz de Queiroz” trap requires a battery with 70 Ah storage capacity and a 60 W solar panel (Zanuncio et al., 1991; Silva, 2017).

The evolution and market consolidation of light emitting diodes (LEDs) and photovoltaic solar panels has paved the way for the development and use of light traps in the field (Cohnstaedt et al., 2008; Knabben et al., 2019). LEDs allow for more compact, efficient and durable lamps and the electronic circuits needed to drive them are simpler and more efficient than those used to power fluorescent lamps (Schubert, 2006). In turn, photovoltaic solar panels ensure portability, without restrictions in agricultural areas.

The aim of this study was to present the design and field test results of a smart LED lamp with a tuned light spectrum and integrated electronic circuit for standalone operation. This new apparatus was designed to replace three different components used in conventional light traps, namely the fluorescent lamp, electronic ballast and control unit.

MATERIAL AND METHODS

The prototype was designed and constructed in 2016 in the laboratory of the Research Center for Alternative and Renewable Energy Microgrids of Santa Catarina State University, in Joinville, Santa Catarina state (SC), Brazil. The field validation test was conducted at the EPAGRI Experimental Station in Itajai (26° 57' 08.2" S 48° 45' 39.5" W, and altitude of 5 m), SC during the 2017/2018 rice growing season.

The LED light spectrum was set to achieve maximum efficiency in attracting insects that are economically important to irrigated rice crops, particularly the rice water weevil, *Oryzophagus oryzae* (Costa Lima) (Coleoptera: Curculionidae). As the target pest, the main color used was based on the conclusions of Hickel et al. (2018), who investigated the color

preference of this species. As such, a 1:1 mix of ultra-violet (UV 400 nm) and blue (460 nm) LEDs was adopted.

The lamp was designed to operate at night in standalone mode and its power source was the energy stored in a 12 V 7Ah lead acid battery, charged during the day by a 30W photovoltaic solar panel.

The electronic circuit attached to the lamp has five functions: (i) regulate battery charge and discharge, (ii) control the light intensity of the lamp, (iii) timer, (iv) turn the lamp on at night and off eight hours later, (v) display the battery charge status and total lighting time of the lamp.

Figure 1 shows a block diagram of the system. The microcontroller circuit contains the logic and timer functions, converts analog signals (battery voltage and solar panel voltage) to digital and processes these signals to activate the switch and LED drivers at the right time.

Figure 2 shows a circuits diagram of the microcontroller, LED display (Figure 2A) and LED driver (Figure 2B). In the microcontroller, solar panel and battery voltages are obtained through V_{pv} pin and V_{bat} pin. The LED driver is activated via the EN pin and the shunt regulator by the $Ctrl_{charge}$ pin.

In night mode, the timer counts eight hours, after which the lamp is turned off and LED A, LED B and LED C are turned on until the next night's operation. The eight-hour lighting time was established by Ma & Ma (2012), who demonstrated that more than 80% of total insect catches occur in the first eight hours of the scotophase.

Should the battery voltage reach 10.5 V (low state) during the night, the system turns the lamp off to preserve battery state of health (SOH) and the algorithm saves the remaining time value. When the remaining time is less than 2 h 40 min, LED A and LED B are turned on until the next nighttime cycle. If more than 2 h 40 min and less than 5 h 20 min remain, only LED A is activated until the following night, but should less than 2 h 40 min remain, none of them is activated. This simple procedure indicates to the user whether the lamp is properly working, the battery SOH and if the solar panel power is correctly sized for use in certain geographic regions.

Since the light intensity of the LED lamp is proportional to the intensity of the electrical current, the latter must be controlled in order to maintain constant brightness. The circuit shown in Figure 2B is a current regulator, a type of electric power converter whose main function is to step up the voltage from its input (battery) to its output (LED string). The TPS61500 integrated circuit controls the current in a closed loop. The LED current is 167 mA, set with an R18 external sensor resistor, and the feedback voltage is regulated to 200 mV by a current mode PWM (pulse width modulation) control loop.

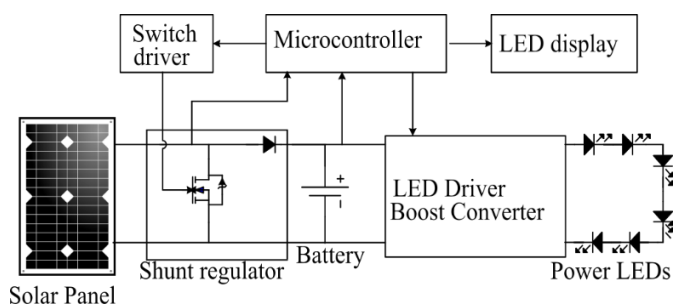


Figure 1. Block diagram of the LED lamp

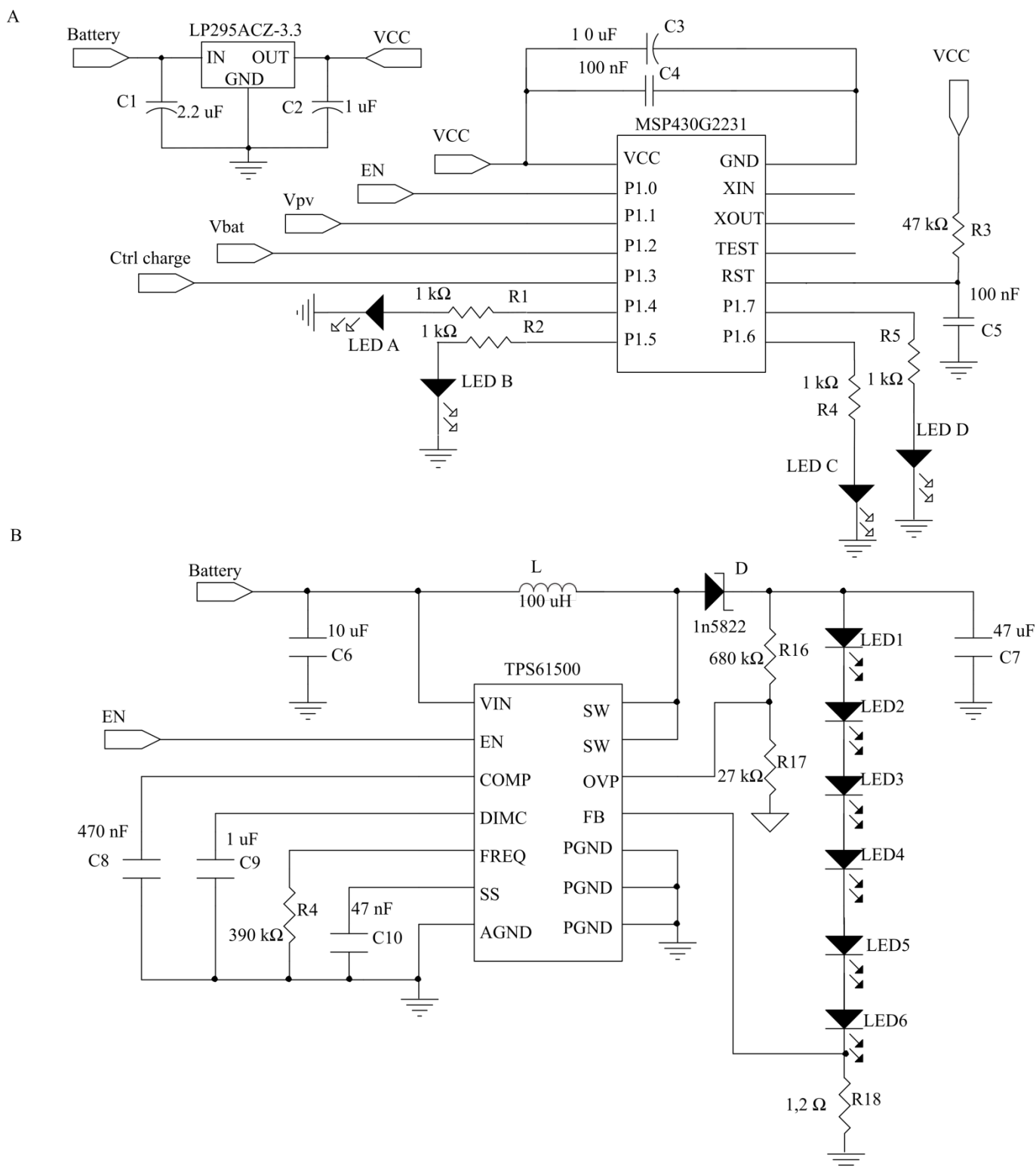


Figure 2. Schematic of the microcontroller, switch driver, LED display (A) and LED driver circuit (B)

The technical specifications of the integrated circuits and step-up DC to DC converter shown in Figure 2 are described in detail in Table 1.

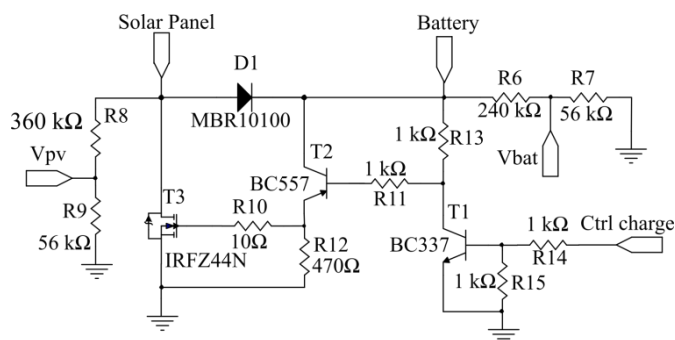
James (1997) presents a shunt regulator for photovoltaic charge controllers. Since the solar panel is current-limited by design, it can be short-circuited without damage, the same working principle used in the regulator. This circuit is a simple, cost-effective solution when compared to the Maximum Power Point Tracking (MPPT) technique, which requires a DC-DC switch converter and a current or temperature sensor. When

the battery reaches its set point charge, a shunt element (relay or a controlled semiconductor) short-circuits the photovoltaic panel. Figure 3 shows the shunt element (T3) and diode D1 in series with the solar panel pin and battery pin as a blocking element, used to protect the battery.

The light intensity status is obtained by measuring solar panel voltage (V_{pv}) through resistors R8 and R9. High voltage generates electricity, identified as “daytime” by the software, and low voltage (less than 3 V) as “nighttime”, when the lamp is tuned on, activating the EN pin. The battery voltage is obtained

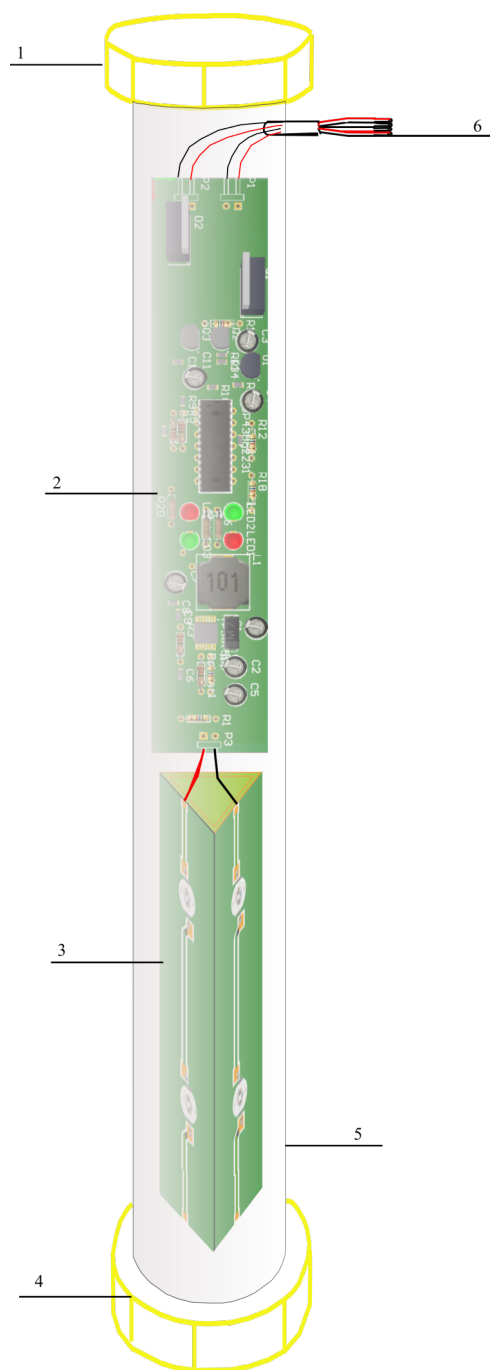
Table 1. Technical specifications of the integrated circuits and step-up converter used in the smart LED lamp

Low power voltage regulator 3.3 V		
Company	Texas Instruments	
Part number	LP295	
Main features	Low Quiescent Current: 75 μ A (Typ)	
Microcontroller		
Company	Texas Instruments	
Part number	MSP430G2231	
Main features	16-Bit RISC Architecture; Low power	
Switched regulator		
Company	Texas Instruments	
Part number	TPS61500	
Main features	Boost Converter for High Brightness LED Driver	
Requirements specification-Step Up DC/DC converter		
Input voltage	12 V	
Output voltage	18.5 V	
Input current	0.30 A	
Output current	0.167 A	
Switch frequency	250 kHz	
Input current ripple amplitude	35%	
Output voltage ripple amplitude	1%	
Duty cycle	0.552	
Power LEDs		
LED1, LED2 and LED3	LED4, LED5 and LED6	
Company	Wayjun	Inolux
Part number	LED-P1-D-Blue	IN-K2PUV
Nominal power	1W	1W
Color	Blue	Violet
Central Wavelength	460 nm	400 nm

**Figure 3.** Shunt regulator circuit

by the microcontroller via R6 with the R7 voltage divider. Once the battery reaches 14.5 V, it is completely charged and the algorithm activates the Ctrl_{charge} pin, prompting transistor T3 to cut the energy flow from the solar panel to the battery. LED D switches on to warn the user of the battery charge state. In the event of battery discharge, its voltage reaches 10.5 V and the circuit turns off the LED lamp (deactivating the EN pin), preventing battery damage.

The different parts of the smart LED lamp are shown in Figure 4. The electronic circuits described in Figures 2 and 3 were designed and welded onto a 12.30 x 2.45 cm printed circuit board (PCB) (Figure 4, part 2). The light source consisting of six power LEDs was electrically connected in series and soldered onto three pieces of PCB, measuring 9.1 x 2.0 cm each (Figure 4, part 3). This PCB size was calculated to ensure correct LED heat dissipation. The LED PCBs were arranged in a triangular mold to guarantee uniform light distribution around the lamp. An FR-4 PCB (1.6 mm thick and 35 μ m layer) was used for both parts, electronic circuits and the light source. The power LED PCB and electronic PCB were packaged in a 24 cm-high transparent acrylic tube with an internal diameter of 2.6 cm

**Figure 4.** LED lamp and its parts: (1) Top plastic cover, (2) Electronic PCB, (3) Power LED PCB, (4) Bottom plastic cover, (5) Acrylic cover, (6) Wire connection

(Figure 4, part 5). The tube was sealed with a plastic cover (Figure 4, part 1 and 4) and thread seal tape and two pairs of wires were used to connect the photovoltaic solar panel to the battery, passing through the acrylic tube (Figure 4, part 6).

An irrigated 1.6 ha rice field was selected for field validation. The area is divided into eight 0.2 ha subareas and surrounded by other rice growing fields. The cultivar used was SCS122 Miura, seeded on September 21, 2017. Crop management was based on recommendations for the water seeded system (Eberhardt & Schiocchet, 2015), except for the application of insecticides.

Due to logistical and operational restrictions, only two light traps were installed in the area, at a height of 1.7m. The first, a Sonne light trap (Knabben et al., 2019) with no electricity network coverage, was suspended on a metal tripod

in the middle of the levee, between the first two subareas (26° 56' 43.6" S 48° 45' 32.0" W, and altitude of 5 m), and contained the smart LED lamp. The second light trap was a Luiz de Queiroz model equipped with a T8 15W BL fluorescent lamp (conventional) and connected to the electricity network, suspended on a concrete pole on the levee separating the last two subareas (26° 56' 37.6" S 48° 45' 31.0" W, and altitude of 5 m). The traps were 175m apart and position rotation was not performed due to the limited range of the electricity network. To limit the capture of larger insects, a nylon mesh (10 x 10 mm) was placed around the trap flaps.

The light traps were activated daily, from September 6, 2017 to March 21, 2018. The Sonne trap was controlled by the integrated electronic circuit of the smart LED lamp and its energy supplied by a 30 W solar panel and 12 V 7 Ah battery. The conventional trap was controlled by an external timer, programmed to operate from 7 p.m. to 3 a.m., and powered by the electrical network. The operating time for both traps was almost the same.

The insects were trapped in 20-L plastic bags, fixed inside the funnel collector of the traps, from which the specimens were subsequently removed for screening and counting in the laboratory. The weekend counts were cumulative from three collection periods. The total number of rice insect pests in the two traps was submitted to the chi-squared test.

RESULTS AND DISCUSSION

Prototype development and field testing of the smart LED lamp made it possible to analyze and compare it with fluorescent lamps already available on the market, based on three aspects: ease of installation, electricity generation and storage demand, and insect attraction efficiency.

The differences between the schematic of fluorescent lamp and smart LED lamp installation is shown in Figure 5. The fluorescent lamp (Figure 5A, part 6) requires an electronic ballast (Figure 4A, part 2), a charge controller (Figure 5A, part 3), 12 V 70 Ah battery (Figure 4A, part 5), and 60 W photovoltaic solar panel (Figure 5A, part 4). Installing the smart LED lamp (Figure 5B, part 4) in the light trap is easier because the charge controller and LED driver (equivalent to the electronic ballast) are mounted onto the LED lamp.

Insects are captured in light traps as a function of light intensity (Barrett et al., 1972). In LED technology, the electric current is directly related to light intensity, meaning that controlling the LED current with the boost converter controls light intensity. Since the light intensity is constant, the number of insects caught by a light trap changes only as a result of environmental conditions, such as moonlight intensity, temperature and wind speed (Riehs, 2004).

Power consumption of the smart LED lamp is 3.13 W, about 20% less than that of the traditional 15 W black light fluorescent lamps typically used. Thus, it is feasible to reduce the energy storage and generation capacities to a 12 V 7 Ah battery and 30 W solar panel. The use of LEDs in light traps has drastically reduced energy consumption, by up to 60% in many cases (Hoel et al., 2007; Cohnstaedt et al., 2008; Knabben et al., 2019).

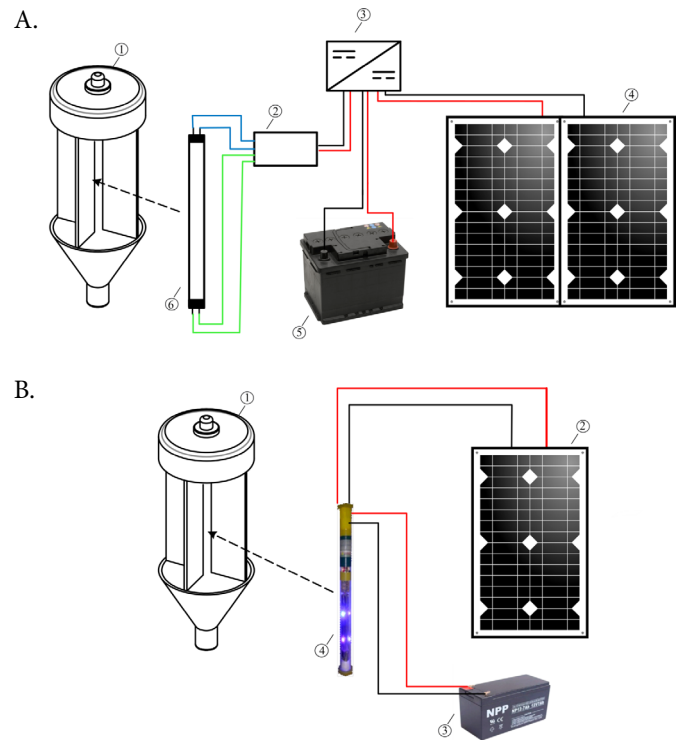


Figure 5. Schematic comparison of fluorescent (A) and smart LED lamp (B) installation

With respect to electricity generation and battery storage capacities, the fluorescent lamp requires a 60 W photovoltaic solar panel and 70 Ah battery to operate properly. Most of the cost, weight and lifetime problems are battery-related, meaning that decreasing its size is a significant improvement. The field experiment proved that the 12 V 7 Ah battery and 30 W solar panel were correctly sized to ensure standalone operation for the light trap in Itajaí, SC, despite periods of heavy cloud cover during the 2017/2018 growing season.

Four signal LEDs were added to the electronic design to display the battery state of charge and a fault warning for lamp lighting at night. During rainy periods, the battery was unable to charge completely or could be rapidly discharged due to the battery's state of health. This strategy proved efficient because it allows the user to confirm the number of insects collected during the actual operating time of the lamp. In the solar light trap design presented by Meshram et al. (2018), no device was incorporated to display the operating status of the system for users. This feedback is essential in the field for the trap manager to be assured of their correct operation.

The number of insect pests collected by the smart LED lamp light trap was greater than that captured by its conventional counterpart, except for the sugarcane beetle (*Euethola* spp.) (Table 2).

Since the light trap design, environmental conditions, crop management and cultivar were similar in both rice fields where the traps were installed, the difference in captures may be largely due to the light spectrum tuning of the smart LED lamp. The UV (400 nm) spectrum was established to increase *O. oryzae* capture (Hickel et al., 2018) and the blue (460 nm) spectrum, used to lower the production costs of the LED lamp, is equally attractive to several insect species (Castrejon & Rojas, 2010; Hickel et al., 2018). The BL fluorescent lamp

Table 2. Total number of individuals of seven insect species collected in the 2017/2018 growing season by two light traps with different lamps in irrigated rice

Species	Lamp ¹	
	Smart LED	Fluorescent BL
South American rice water weevil (<i>Oryzophagus oryzae</i>)	43684 a	10877 b
Pickerelweed weevil ² (<i>Onychylis</i> spp.)	3191 a	1883 b
Oother water weevils (mainly <i>Helodytes</i> sp.)	621 a	394 b
Rice stink bug (<i>Oebalus</i> spp.)	1620 a	1363 b
Rice caseworm (<i>Nymphula</i> spp.)	2426 a	1411 b
Rice stem borer (<i>Rupela albinella</i>)	743 a	144 b
Sugarcane beetle (<i>Euetheola</i> spp.)	557 b	784 a
Total number of insects caught	52842 a	16856 b

¹ Totals followed by different letters in the row differ according to the chi-squared test ($p \leq 0.001$), $n = 105$

² Pickerelweed weevils are not rice pests, but occur concurrently with rice water weevils, with which they are confused

emits light in a wide range of colors, from 300 to 570 nm, but with a marked peak at 350 nm (Hienton, 1974).

The light spectrum of LED lamps has been studied to make light traps more specific and efficient for several insect species of economic interest. Chu et al. (2004) found that the number of whiteflies, aphids and fungus gnats caught in traps increased with the use of lime green LEDs. The use of UV LEDs also increased catches of *Euscepes postfasciatus* (Fair.) (Coleoptera: Curculionidae) in sweet potato fields (Katsuki et al., 2012), whereas red LEDs were better at attracting sandflies (Hoel et al., 2007).

The absence of position rotation between traps does not seem to be the cause of the difference in insect catches. Hickel (2013) operated three fixed light traps in the same irrigated rice area and obtained similar insect captures in all three devices.

Although the field results presented may have been subject to a seasonal effect, in a more equitable scenario, an equal number of insects captured by both the smart LED and conventional light traps would be sufficient to demonstrate the convenience of using the former.

CONCLUSIONS

1. Integration of the LED lamp, charge controller, microcontroller and LED driver into the bulb results in a compact and easy-to-install product.

2. In regard to the number of individuals and species diversity of the insects caught, the smart LED lamp designed in this study was an efficient substitute for a 15 W black light fluorescent lamp.

3. Tuning the LED lamp spectrum based on current research regarding insect color preferences is a practical method to optimize electrical energy use and, consequently, the size and cost of the battery and solar panel, since most of the light energy is based on insect color preference.

ACKNOWLEDGMENTS

To Fundação de Amparo à Pesquisa e Inovação do Estado de Santa Catarina - FAPESC (Process 6946/2011-9) and Conselho Nacional de Desenvolvimento Científico e Tecnológico - CNPq (Process 562451/2010-2) for the funding provided.

To agronomy student Sérgio Francisco Bervanger for his assistance in collecting and sorting the insects.

LITERATURE CITED

- Aguiar, E.B.; Lorenzi, J.O.; Monteiro, D.A.; Bicudo, S.J. Monitoramento do mandaró da mandioca - *Erinnyis ello* L. 1758, para o controle com baculovirus-*Baculovirus erinnyis*. Revista Trópica - Ciências Agrárias e Biológicas, v.4, p.55-59, 2010.
- Baehaki, S.E.; Iswanto, E.H.; Munawar, D. Relationship of predators flight and rice pests that caught on the light trap of mercury (ML-160 Watt) BSE-G3 model and light trap of solar cell - CFL-20 Watt. International Journal of Entomology Research, v.2, p.79-85, 2017.
- Barrett, J.R.; Harwood, F.W.; Deay, H.O. Functional association of light trap catches to emission of black light fluorescent lamps. Environmental Entomology, v.1, p.285-290, 1972. <https://doi.org/10.1093/ee/1.3.285>
- Branco, R.T.C.; Silva, P.R.R.; Portela, G.L.F.; Padua, L.E.M.; Santos, O.A.A. Population survey of predatory insects in sugarcane in the municipality of União, Piauí state, Brazil, using light trap. Científica, v.44, p.520, 2016. <https://doi.org/10.15361/1984-5529.2016v44n4p520-525>
- Castrejon, F.; Rojas, J.C. Behavioral responses of larvae and adults of *Estigmene acrea* Lepidoptera: Arctiidae to light of different wavelengths. Florida Entomologist, v.93, p.505-509, 2010. <https://doi.org/10.1653/024.093.0405>
- Chu, C.; Simmons, A.M.; Chen, T.Y.; Alexander, P.J.; Henneberry, T.J. Lime green light-emitting diode equipped yellow sticky card traps for monitoring whiteflies, aphids and fungus gnats in greenhouses. Entomologia Sinica, v.11, p.125-133, 2004. <https://doi.org/10.1111/j.1744-7917.2004.tb00186.x>
- Cohnstaedt, L.; Gillen, J.I.; Munstermann, L.E. Light-emitting diode technology improves insect trapping. Journal of American Mosquito Control Association, v.24, p.331-334, 2008. <https://doi.org/10.2987/5619.1>
- Eberhardt, D.S.; Schiocchet, M.A. Recomendações para a produção de arroz irrigado em Santa Catarina - Sistema pré-germinado. Florianópolis: Epagri, 2015. 92p. Epagri. Sistemas de Produção, 48.
- Hickel, E.R. Flutuação populacional de adultos da bicheira-da-raiz, *Oryzophagus oryzae*, e de outras espécies de gorgulhos aquáticos em arroz irrigado. Revista de Ciências Agroveterinárias, v.12, p.247-254, 2013.
- Hickel, E.R.; Knabben, G.C.; DalZotto, D.; Carvalho, M.W.M.; Bertoldi, B.; Novaes, Y.R. Attractiveness of light-emitting diodes - LEDs of different wavelengths to the South American rice water weevil. Arquivos do Instituto Biológico, v.85, p.1-6, 2018. <https://doi.org/10.1590/1808-1657000382016>
- Hickel, E.R.; Milanez, J.M.; Hinz, R.H. Infecção artificial de adultos da bicheira-da-raiz com *Beauveria bassiana* em armadilha luminosa. Agropecuária Catarinense, v.28, p.74-77, 2015.
- Hienton, T.E. Summary of investigations of electric insect traps. Washington: US Department of Agriculture, 1974. 136p. USDA. Technical Bulletin 1498
- Hoel, D.F.; Fawaz, E.Y.; Butler, J.E.; Watany, N.; El-Hossary, S.S.; Villinski, J. Response of phlebotomine sand flies to light-emitting diode-modified light traps in southern Egypt. Journal of Vector Ecology, v.32, p.302-308, 2007. [https://doi.org/10.3376/1081-1710\(2007\)32\[302:ROPSFT\]2.0.CO;2](https://doi.org/10.3376/1081-1710(2007)32[302:ROPSFT]2.0.CO;2)

- Infusino, M.; Brehm, G.; Di Marco, C.; Scalercio, S. Assessing the efficiency of UV LEDs as light sources for sampling the diversity of macro-moths (Lepidoptera). *European Journal of Entomology*, v.114, p.25-33, 2017. <https://doi.org/10.14411/eje.2017.004>
- James P.D. Batteries and charge control in standalone photovoltaic systems. *Fundamentals and applications*. Florida Solar Energy Center. Cocoa: Sandia National Laboratories, 1997. 171p.
- Katsuki, M.; Omae, Y.; Okada, K.; Kamura, T.; Matsuyama, T.; Haragushi, D.; Kohama, T.; Miyatake, T. Ultraviolet light-emitting diode - UV LED trap the West Indian sweet potato weevil, *Euscepes postfasciatus* - Coleoptera: Curculionidae. *Applied Entomology and Zoology*, v.47, p.285-290, 2012. <https://doi.org/10.1007/s13355-012-0113-y>
- Knabben, G.C.; Carvalho, M.W.M.; Bertoldi, B.; Novaes, Y.R.; Hickel, E.R.; Hinz, R.H. Sonne - Inovação tecnológica em armadilha luminosa para aplicação no manejo integrado de pragas. *Agropecuária Catarinense*, v.32, p.41-44, 2019. <https://doi.org/10.22491/RAC.2019.v32n1.3>
- Ma, G.; Ma, C. Differences in the nocturnal flight activity of insect pests and beneficial predatory insects recorded by light traps: Possible use of a beneficial-friendly trapping strategy for controlling insect pests. *European Journal of Entomology*, v.109, p.395-401, 2012. <https://doi.org/10.14411/eje.2012.051>
- Medrano F. M.; Specht, A.; Silva, F. A. M.; Otanásio, P. N.; Malaquias, J. V. The population dynamics of three polyphagous owl moths (Lepidoptera: Noctuidae) and the influence of meteorological factors and ENSO on them. *Revista Brasileira de Entomologia*, v.63, p.308-315, 2019. <https://doi.org/10.1016/j.rbe.2019.07.004>
- Meshram, S.A.; Kapade, S.A.; Chaudhari, A.D.; Nagane, K.B. Design a solar light trap for control of field crop insects. *International Research Journal of Engineering and Technology*, v.5, p.1252-1254. 2018.
- Price, B.; Baker, E.W. NightLife: A cheap, robust, LED based light trap for collecting aquatic insects in remote areas. *Biodiversity Data Journal*, n.4, p.1-18, 2016. <https://doi.org/10.3897/BDJ.4.e7648>
- Riehs, P.J. Influência de fatores meteorológicos sobre a atividade de voo de Dynastinae (Coleoptera, Scarabaeidae) fototáticos do Leste e Centro-Oeste do Paraná, Sul do Brasil. *Revista de Ciências Exatas e Naturais*, v.6, p.113-126. 2004.
- Schubert, E.F. Light-emitting diodes. New York: Cambridge University Press, 2006. 422p. <https://doi.org/10.1017/CBO9780511790546>
- Silva, A.S. Controle biológico de *Erinnyis ello* - Linnaeus, 1758 Lepidoptera: Sphingidae com parasitoides na cultura da mandioca. Dourados: UFGD, 2017. 86p. Tese Doutorado.
- Shimoda, M.; Honda, K. Insect reactions to light and its applications to pest management. *Applied Entomology and Zoology*, v.48, p.413-421, 2013. <https://doi.org/10.1007/s13355-013-0219-x>
- Silveira Neto, S.; Nakano, O.; Barbin, D.; Villa Nova, N.A. Manual de ecologia dos insetos. São Paulo, Agronômica Ceres, 1976. 419p.
- Sheikh, A.H.; Thomas, M.; Bhandari, R.; Bunkar, K. Light trap and insect sampling: An overview. *International Journal of Current Research*, v.8, p.40868-40873, 2016.
- Zhang, J.; Li, H.; Liu, M.; Zhang, H.; Sun, H.; Wang, H.; Miao, L.; Li, M.; Shu, R.; Qin, Q. A greenhouse test to explore and evaluate light-emitting diode - LED insect traps in the monitoring and control of *Trialeurodes vaporariorum*. *Insects*, v.11, p.94, 2020. <https://doi.org/10.3390/insects11020094>
- Zanuncio, J.C.; Cominatto Junior, J.L.; Beig, O.; Zanuncio, T.V. Armadilhas luminosas com painel fotovoltaico para monitoramento e supressão populacional de Lepidópteros desfolhadores. *Revista Árvore*, v.15, p.95-102, 1991.