

RELATIONSHIP BETWEEN RIGIDITY OF EXTERNAL FIXATOR AND NUMBER OF PINS: COMPUTER ANALYSIS USING FINITE ELEMENTS

Marcelo Back Sternick¹, Darlan Dallacosta², Daniela Águida Bento³, Marcelo Lemos do Reis⁴

ABSTRACT

Objective: To analyze the rigidity of a platform-type external fixator assembly, according to different numbers of pins on each clamp. **Methods:** Computer simulation on a large-sized Cromus dynamic external fixator (Baumer SA) was performed using a finite element method, in accordance with the standard ASTM F1541. The models were generated with approximately 450,000 quadratic tetrahedral elements. Assemblies with two, three and four Schanz pins of 5.5 mm in diameter in each clamp were compared. Every model was subjected to a maximum force of 200 N, divided into 10 sub-steps. For the components, the behavior of the material was assumed to be linear,

elastic, isotropic and homogeneous. For each model, the rigidity of the assembly and the Von Mises stress distribution were evaluated. **Results:** The rigidity of the system was 307.6 N/mm for two pins, 369.0 N/mm for three and 437.9 N/mm for four. **Conclusion:** The results showed that four Schanz pins in each clamp promoted rigidity that was 19% greater than in the configuration with three pins and 42% greater than with two pins. Higher tension occurred in configurations with fewer pins. In the models analyzed, the maximum tension occurred on the surface of the pin, close to the fixation area.

Keywords – External Fixators; Biomechanics; Mechanical Stress.

INTRODUCTION

The use of external fixators goes back to the times of Hippocrates. Over the years, a variety of modifications have been made, both in relation to the materials used and in the design of their components, so that their stability could be increased and the complications inherent to the apparatus could be minimized⁽¹⁾.

After the Second World War, great advances were made until reaching the modern external fixator in the 1970s. Biomechanical laboratory tests started to be done, until the study by Huiskes and Chao, who were the first to standardize these analyses for different types of external fixator⁽²⁾.

The first study using finite elements involving external fixators was conducted in 1979. Since then,

this technique has been widely used to simulate the various situations relating to setting up an external fixator, by means of computational models.

In the present study, a computational simulation of an external fixator system was conducted in order to supply reference values that could subsequently be validated experimentally. The finite elements method was used so as to establish a relationship between the stiffness of the assembly and the number of Schanz pins used in the system.

MATERIALS AND METHODS

A computational simulation was conducted on the large-size Cromus dynamic external fixator (Baumer S.A.). The models were analyzed taking into consideration the assembly requirements of the ASTM

1 – Orthopedist, Hospital Felício Rocho, Belo Horizonte, MG, Brazil.

2 – Mechanical Engineer and MSc in Mechanical Engineering with emphasis on Biomechanics, SCiTec, Florianópolis, SC, Brazil.

3 – Mechanical Engineer and PhD in Mechanical Engineering with emphasis on Biomechanics, Department of Metal Mechanics, Federal Institute of Education, Science and Technology of Santa Catarina (IF-SC), Florianópolis, SC, Brazil.

4 – Orthopedist and MSc in Medical Sciences, University Hospital of the Federal University of Santa Catarina (UFSC), Florianópolis, SC, Brazil.

Work performed in the Department of Metal Mechanics, Federal Institute of Education, Science and Technology of Santa Catarina (IF-SC), Florianópolis, SC, Brazil.

Correspondence: Rua Patagônia 55/1101, 30320-080 Belo Horizonte, MG. E-mail: marcelo.sternick@terra.com.br

Work received for publication: September 21, 2011; accepted for publication: February 9, 2012.

The authors declare that there was no conflict of interest in conducting this work

This article is available online in Portuguese and English at the websites: www.rbo.org.br and www.scielo.br/rbort

(American Society for Testing and Materials) technical standard F1541 – Standard Specification and Test Methods for External Skeletal Fixation Devices (Figure 1 and Table 1).

The distance P_o , located close to the focus of the fracture could not be met due to the geometrical characteristics of the fixator. The models were analyzed using the NX Nastran commercial package, and were generated with approximately 450,000 quadratic tetrahedral elements. The mesh can be seen in Figure 2.

During the analyses, three assembly configurations were evaluated:

With two bone pins in each of the platforms (upper and lower), in the positions AA-DD;

With three bone pins in each of the platforms (upper and lower), in the positions AA-CC-DD;

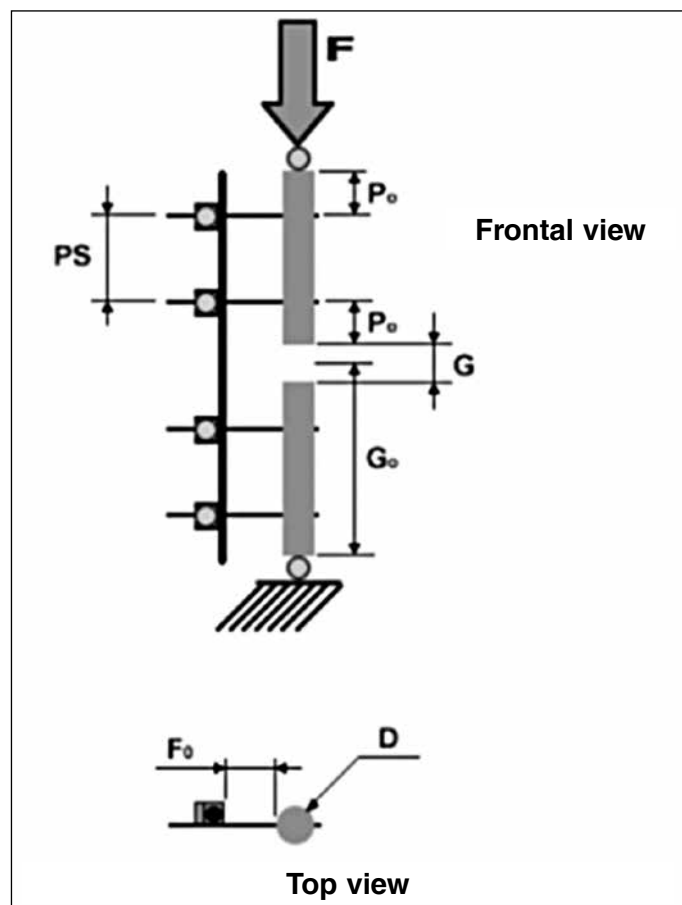


Figure 1 – Assembly characteristics in accordance with ASTM F1541.

Table 1 – Assembly parameters.

OS	90 mm
F_o	50 mm
G	20 mm
D	30 mm
P_o	20 mm
G_o	167 mm

With four bone pins in each of the platforms (upper and lower), in the positions AA-BB-CC-DD.

Schanz pins of diameter 5.5 mm were used. The pin positions can be seen in Figure 3.

Each fixator model was subjected to a maximum force of 200 N, which was equivalent to the maximum axial force supported by these devices during the patient’s recovery phase⁽³⁾.

The force was applied perpendicularly to the upper face of bone substitute 1; while this was being done, bone substitute 2 remained embedded on the lower face.

For all the components of the system, it was assumed that the behavior of the material was homogenous, linear, elastic and isotropic, defined using the modulus of elasticity E and Poisson’s coefficient ν (Table 2).

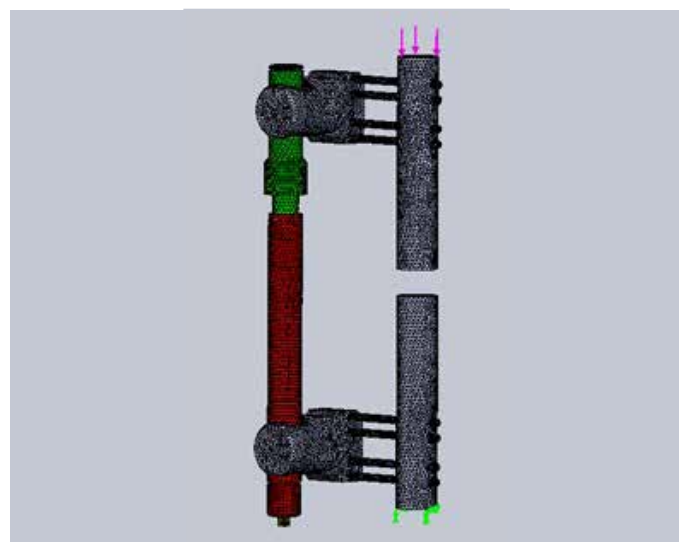


Figure 2 – Finite-element mesh.

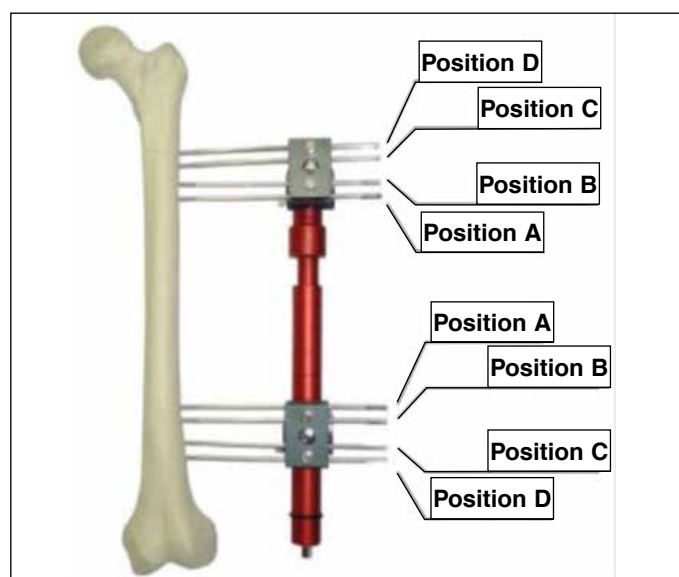


Figure 3 – Assembly configurations.

Table 2 – Properties of the materials.

Description	Material	E (GPa)	V
M-6 locking screw x 30.0 mm	Austenite stainless steel AISI 304	190	0.29
M-6 locking screw x 45.0 mm			
Locking support			
Spring			
Clamp locking screw			
M-6 nut			
Fixed screw			
Threaded locking bar			
M-6 screw			
7.0 mm screwdriver with long head			
Allen key - 2.5 mm			
Lower clamp for pin	Aluminum alloy (6063-T5 or 6351-T6)	69	0.33
Upper clamp for pin			
Articulator			
Fixed rod			
Movable rod			
Threaded locking body			
Movable clamp			
Schanz pin			

RESULTS

For each of the models analyzed, the rigidity relating to the system was evaluated. The results are presented in Table 3.

Figure 4 (A, B and C) presents the von Mises maximum tension results for the three assembly proposals evaluated. For the force of 200 N, the field of resultant displacements for the assemblies can be seen (Figure 5 – A, B and C). On the deformed image, the scale was artificially increased so as to facilitate viewing.

Table 3 – Stiffness of the system.

Configuration	Stiffness (N/mm)
With 2 bone pins	307.6
With 3 bone pins	369
With 4 bone pins	437.9

DISCUSSION

Over recent decades, there have been enormous advances in external fixation. Several types of apparatus have been introduced, always seeking the best in terms of components and design. Biomechanical studies are increasingly necessary in order to attest to the stability of the system. In 1986, Huiskes and Chao were the first to standardize these studies by issuing guidelines for biomechanical evaluations⁽²⁾.

Today, the technical standard most used for evaluating external fixators and their components is the ASTM standard, and the main reference is ASTM F 1541 – 02 (2011) – Standard Specification and Test Methods for External Skeletal Fixation Devices, which was used in the present study⁽⁴⁾.

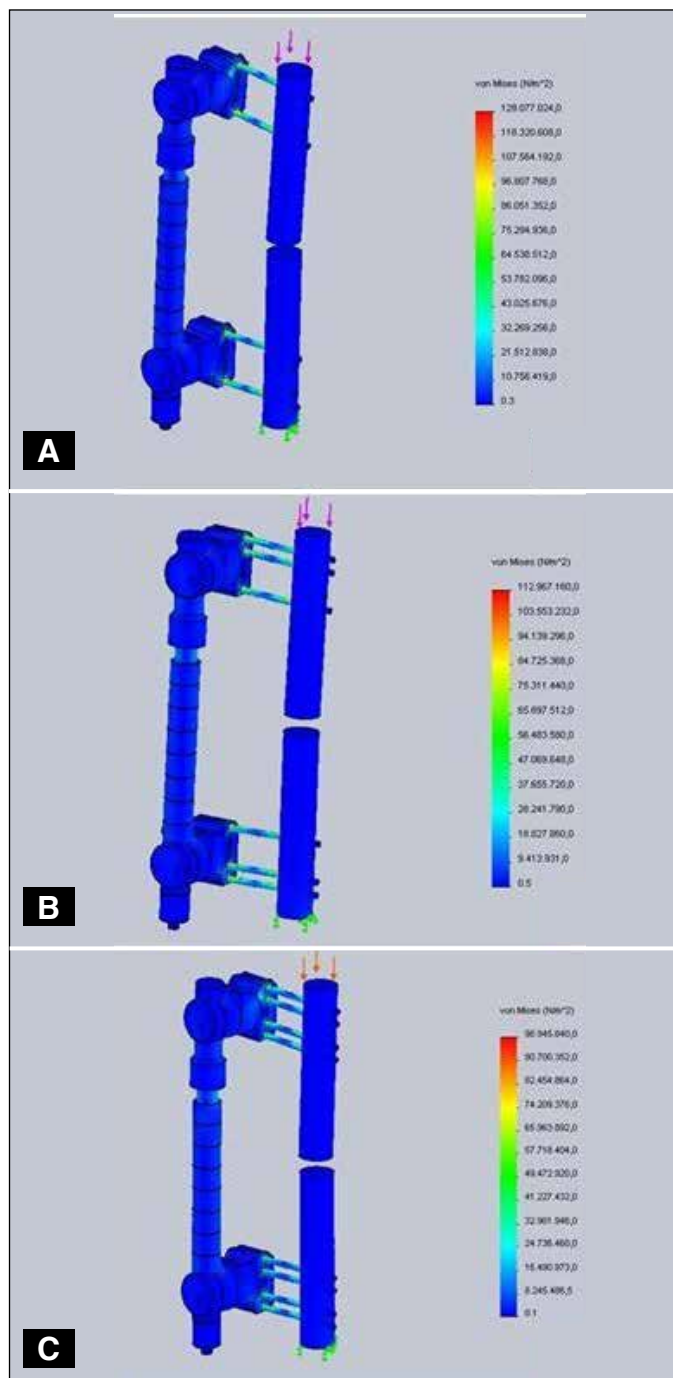


Figure 4 – Von Mises tension: (A) for configuration with four pins; (B) for configuration with three pins; (C) for configuration with four pins.

The first study using finite elements in relation to external fixation was published in 1979, seven years after the first study using this method in orthopedics⁽⁵⁾. Since then, several other studies have been conducted⁽⁶⁻¹¹⁾. Studies using this technique have also been published in the Brazilian literature, but not with simulation of an external fixator⁽¹²⁻¹⁴⁾.

The commercial finite-element packages available are very versatile tools for evaluating the influence of

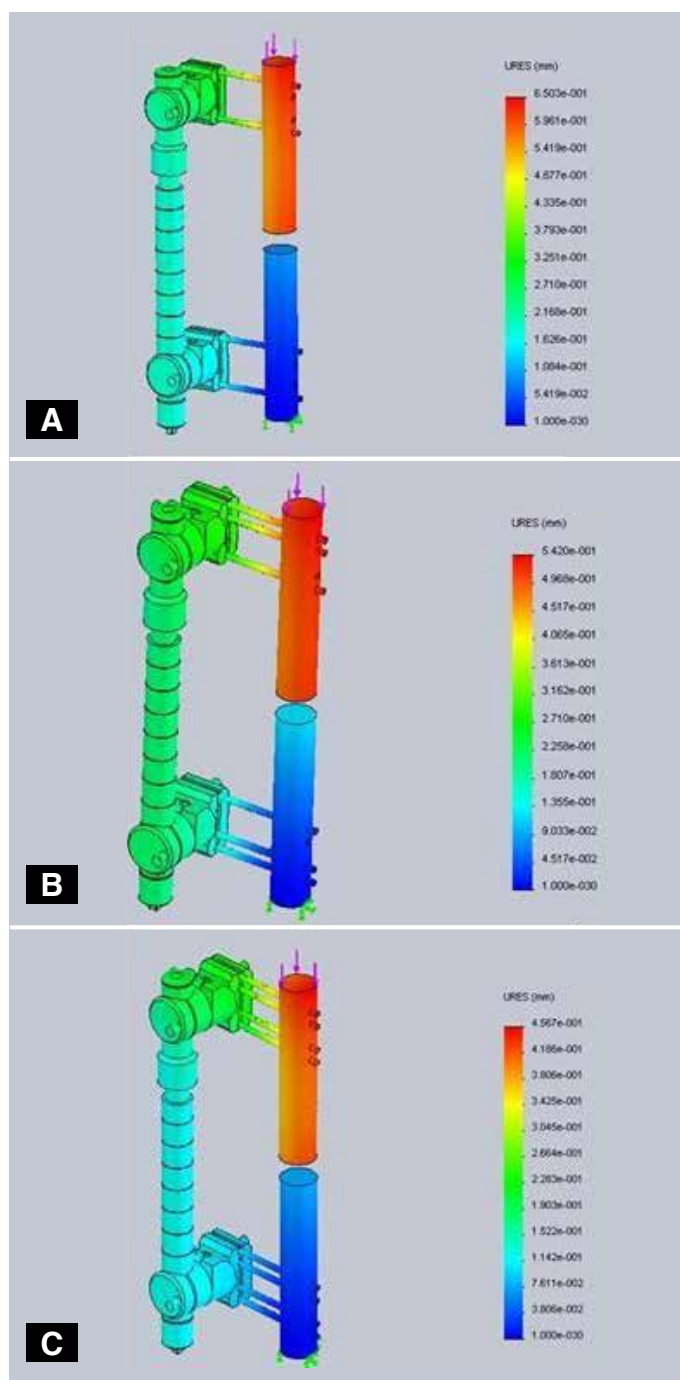


Figure 5 – Resultant displacement: (A) for configuration with four pins; (B) for configuration with three pins; (C) for configuration with four pins.

assembly parameters in relation to the axial stiffness of a particular external fixator, because of the ease of modifying the geometrical characteristics of the assembly and outline conditions of the model. The advantages of computational finite-element models are the possibilities of modifying various parameters easily and systematically⁽⁷⁾, evaluating the stiffness without the need for experimental tests⁽¹¹⁾ and dispensing with studies on animals, which are becoming

increasingly difficult to undertake nowadays.

Stability is the main characteristic of an external fixator. However, the stiffness of the system needs to allow micromovements, which are necessary for the bone consolidation process⁽¹¹⁾. It is known from studies on animals that movements between fragments should remain within the range of 0.2 to 1.0 mm⁽¹⁵⁾. The stability of a system depends both on the apparatus and its components (pins, bars and clamps) and on the patient (type of fractures, presence of systemic diseases, bone quality, acquired infection at the pin sites, etc), as well as on the technique used for placement and length of use. Among these, the number of pins used on the bone fragments is one of the most important parameters and if used improperly, this may lead to significant changes in fixator use⁽⁸⁾.

For this reason, comparative evaluations are conducted on the fixator with different quantities of pins in each clamp, knowing from the outset that the greater the quantity of pins is, the greater the stability will be. This therefore enables quantitative assessment of the stability of the system, insofar as it depends on this variable. In the present study, a platform-type dynamic external fixator was used, composed of a bar and two multiplanar clamps, which made it possible to place up to four pins in each segment.

The distance P_0 could not be met because of the construction characteristics of the Cromus fixator. This distance is taken into account only for fixator models that possess smooth bars and allow pin distribution to any point along its length. Increasing the distance P_0 tends to increase the flexibility of the system, but there is no variation in the flexor moment. The system was tested in accordance with the indications for its use, which tends to reproduce the behavior of the fixator more faithfully. The technical standard serves as a guiding document and thus, it allows changes in configuration to be made, provided that these are properly related and considered. It should be emphasized that the remaining parameters were maintained as established by ASTM F1541.

The von Mises tension criterion is based on the Mises-Hencky theory, also known as the theory of maximum distortion energy. The theory says that a ductile material starts to fail at a site at which the equivalent von Mises tension reaches the yield point of the material.

The aim of the present study was to analyze the stiffness of the assembly and not to determine the likely failure sites. In assessing the stiffness, the system was subjected to a state of tension that would not result in plastic deformation of components. This was proved, because all the results relating to the equivalent von Mises tension were below the yield tension of the materials used in manufacturing the components.

The mechanical properties were obtained from the respective technical standards for the raw materials. Thus, variations below the minimum limits established by the standards were disregarded. Issues relating to surface finishing are irrelevant in this type of analysis, since they are controlled during the manufacturing process of the components. The real model has characteristics that from a structural point of view are identical to the numerical model.

The model was not subjected to tensions greater than the yield point of the materials and therefore did not start to present plastic deformation. The stiffness of the system is determined within the elastic regime. In design terms, the components are designed to function only within the elastic regime, i.e. occurrences of plastic deformation tend to provoke functional failure.

CONCLUSION

The results demonstrated that four Schanz pins per clamp promoted stiffness that was 19% greater than in the configuration with three pins and 42% greater than in the configuration with two pins.

The greatest von Mises tension occurred with the configuration with the smallest number of pins, because in this case, the reactions must be supported by a smaller number of elements. For all the models analyzed, the maximum tension occurred on the surface of the Schanz pins, close to the fixation, since this was the site with the largest flexor moment and least section. The main parameters that influenced axial stiffness and tension distribution in the assembly were the number of pins and the distance F_0 . For this condition, the smaller the distance F_0 was, the greater the stiffness and the smaller the flexor moment would be, which would tend to diminish the von Mises tensions in the assembly.

ACKNOWLEDGEMENTS

Our thanks to Baumer S.A., for making available the 3D geometrical fixator models used and for providing technical support for accomplishing this work.

REFERENCES

1. Sternick MB. A história da fixação externa. In: Andrade MAP, Silva WN, editores. Clínica ortopédica da SBOT. Avanços em alongamento e reconstrução óssea. Rio de Janeiro: Guanabara Koogan; 2010. p. 98-103.
2. Huiskes R, Chao EY. Guidelines for external fixation frame rigidity and stresses. *J Orthop Res.* 1986;4(1):68-75.
3. Vijayakumar V, Marks L, Bremmer-Smith A, Hardy J, Gardner T. Load transmission through a healing tibial fracture. *Clin Biomech (Bristol, Avon).* 2006;21(1):49-53.
4. ASTM Comitee F04 on Medical and Surgical Materials and Devices. Designation F 1541-02. Standard Specification and Test Methods for External Skeletal Fixation Devices, 2002.
5. Huiskes R, Chao EY. A survey of finite element analysis in orthopedic biomechanics: the first decade. *J Biomech.* 1983;16(6):385-409.
6. Huiskes R, Chao EY, Crippen TE. Parametric analyses of pin-bone stresses in external fracture fixation devices. *J Orthop Res.* 1985;3(3):341-9.
7. Drijber FL, Finlay JB, Dempsey AJ. Evaluation of linear finite-element analysis models' assumptions for external fixation devices. *J Biomech.* 1992;25(8):849-55.
8. Juan JA, Prat J, Vera P, Hoyos JV, Sánchez-Lacuesta J, Peris JL, et al. Biomechanical consequences of callus development in Hoffmann, Wagner, Orthofix and Ilizarov external fixators. *J Biomech.* 1992;25(9):995-1006.
9. Koo TK, Chao EY, Mak AF. Fixation stiffness of Dynafix unilateral external fixator in neutral and non-neutral configurations. *Biomed Mater Eng.* 2005;15(6):433-44.
10. Radke H, Aron DN, Applewhite A, Zhang G. Biomechanical analysis of unilateral external skeletal fixators combined with IM-Pin and without IM-Pin using finite-element method. *Vet Surg.* 2006;35(1):15-23.
11. Watson M, Mathias KJ, Maffulli N, Hukins DW, Shepherd DE. Finite element modelling of the Ilizarov external fixation system. *Proc Inst Mech Eng H.* 2007;221(8):863-71.
12. Queiroz RD, Lima RG, Del Pino GG, Mestriner LA, Takata ET. Análise do desgaste do polietileno do componente acetabular da prótese total do quadril, utilizando o método de elementos finitos de simulação computadorizada. *Rev Bras Ortop.* 2001;36(5):149-54.
13. Soni JF, Santili C, Lancelotti CLP, Hecke MB, Almeida FR, Karam LZ. Análise comparativa em modelo computadorizado bidimensional em simulação do emprego de hastes flexíveis de aço e titânio, na fratura do fêmur na criança, utilizando o método de elementos finitos. *Rev Bras Ortop.* 2008;43(5):183-92.
14. Gabrieli APT, Lemos RR, Henrich CH. Ferramenta computacional para estudo da deformação e alterações estruturais musculares na paralisia cerebral espástica utilizando modelos obtidos através de imagens de ultrassom e ressonância magnética. In: VII Congresso Brasileiro de Ortopedia Pediátrica, Vitória, ES, 2006.
15. Claes LE, Wilke HJ, Augat P, Rübenacker S, Margevicius KJ. Effect of dynamization on gap healing of diaphyseal fractures under external fixation. *Clin Biomech (Bristol, Avon).* 1995;10(5):227-234.